

TRACTORS T1500D - T2000D ELECTRICPORTER

FANTOZZI

moving safe. at work



General features and advantages

FANTOZZI T1500D & T2000D tractors have been studied for towing goods loaded on trolleys. Quick and safe on wide surfaces, T1500D tows up to 1500 Kg. (2000 Kg. with the model T2000D) and for the Company they are the best towing solution for courses longer than 36 mt.

Intensive use

The high numbers of scheduled working handlings and meanwhile the unexpected emergencies and precision, need reliable tools always versatile and available to carry-out continuous work granting high quality levels. Slim and strong FANTOZZI T1500D & T2000D are suitable to drive into small and complex ways; working proof resistant inside the stocking area and factory on flat floors. Possibility to equip the machine with quick battery change: it allows the machine to work on several shifts (pict. 1).

Increase on productivity

FANTOZZI T1500D & T2000D tractors answer the modern concept of logistic, goods handling and people's transport which require more and more skilled and dedicated working instruments suitable to reach the best compromise between working time, working quality/precision, and operator's safety/satisfaction. During handling of unpacked goods or single pieces – without pallets or loading units – FANTOZZI T1500D & T2000D produce a significant increase in productivity, it means much more work arranged shortly and saving of human resources.

Driving comfort

FANTOZZI T1500D & T2000D have comfortable driving position, easy access to the operating control unit, limited height of the platform and comfortable adjustable seat: these allow the operator to drive longtime on safety and correct position, in accordance with ergonomic standards. Accessories such as book-holder or wire basket make the daily operations easier.

Maximum safety for operator, goods and environment
The modern concept of safety is not only limited to the operator but to the complete "system": operator, goods, environment.

FANTOZZI T1500D & T2000D are studied in accordance with current regulations as for accident-prevention, limited vibrations, industrial health, common protection etc, but mainly thinking on ethic responsibility and reliability as for working satisfaction and appreciation of human resources.



Technical / manufacturing features

Motor & driving wheel

Equipped with 1200W driving wheel –
Speed 8 Km/h – Towing capacity 1500
Kg. max. (T2000D towing capacity up
to 2000 Kg. with 1500W motor)



Differential gear

Differential gear complete with shafts.
Shafts have supports connected to the
aluminium body in order to make the
structure safer.

Chassis

Strong structure made of Fe37 with black
embossing non-scratch epoxy painting.
The structure reinforcements guarantee
the maximum vehicle's reliability.



Electronic control unit

The electronic control unit allows the
speed-braking-acceleration
adjustments: these parameters
customize the use of FANTOZZI
Tractors.

Battery

T1500D & T2000D are equipped with
one traction battery 24V 120Ah (8 hours
endurance), alternative one traction
battery 24V 200Ah (12 hours endurance)
or four traction batteries 6V 180Ah (10
hours endurance).



Towing hook

Painted iron towing hook complete with
bolts and nuts for fixing

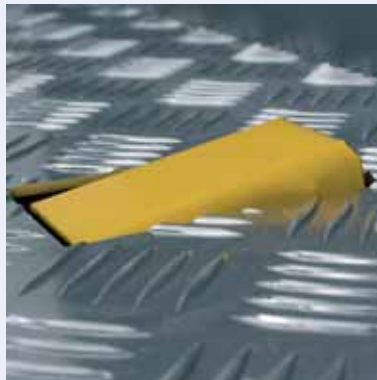
Service brake

The tractor stops gradually by releasing the manipulator: the motor has a gradual counterbrake and finally the service brake enters automatically.



Driver detection sensor

On driving platform there is a pedal: if pressed it moves the machine, if released it assures the machine stop on total safety.



Design

T1500D & T2000D have modern and practical design.

The rounded lines make the vehicle comfortable, safe and reliable.



Emergency brake

The brake lever placed on left manipulator makes the emergency braking.

The emergency braking is necessary to avoid accidents inside the factory.



Control unit

Intuitive, simple and effective, it includes:

- Forward and backward speed button
- Light switch
- Charge indicator display
- Warning buzzer
- Emergency button (to stop the vehicle immediately)
- Starting key



Seat

FANTOZZI T1500D & T2000D are standard delivered with comfortable leather seat: the operator's driving position is effortless and healthy also for long driving period.



Optionals

Flashing light
Iron tubular structure with flashing light and turning led.



Front wheel guard
Iron bar: rust-proofing treatment, powder painting



Book holder
Plastic transparent structure with sheets clip and fixing screws.



Wire basket
Wire basket made of chromate rust-proofing stainless-steel.

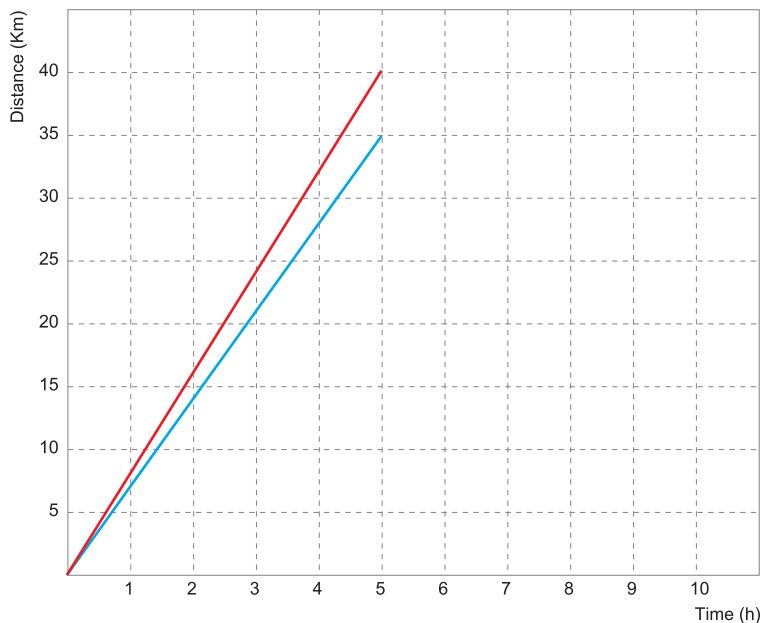
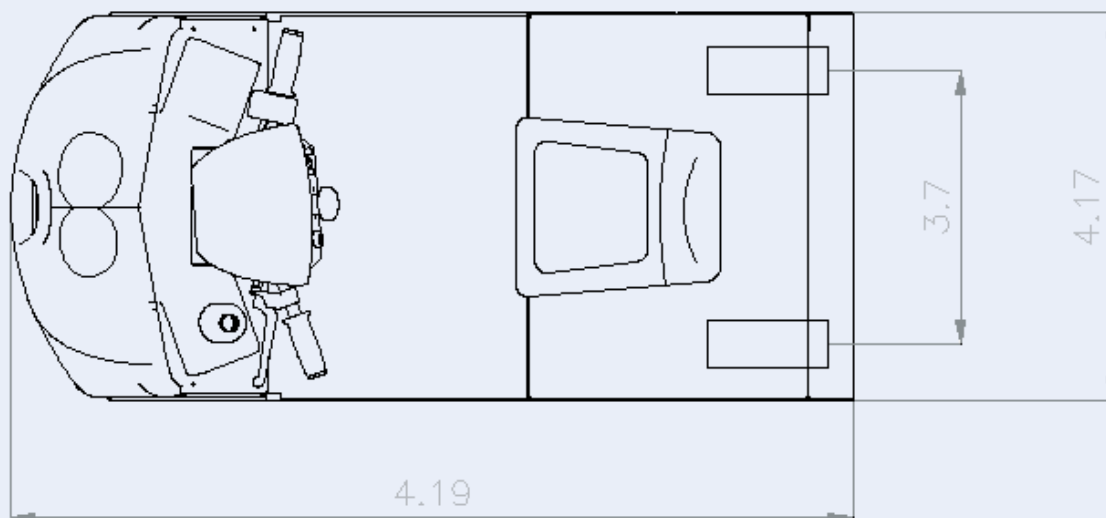
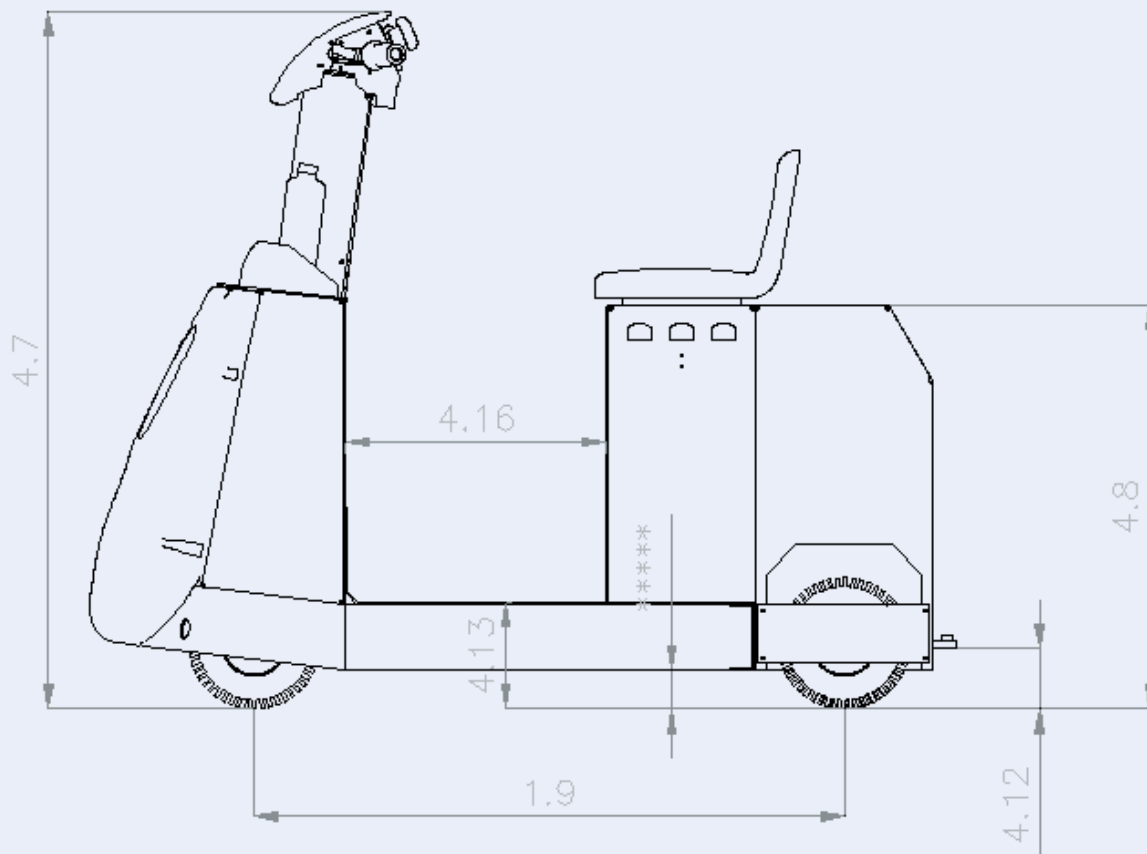


Technical features

VDI 2198

Features	1.1	Manufacturer	Fantozzi	Fantozzi	
	1.2	Model	T1500D	T2000D	
	1.3	Traction	Electric	Electric	
	1.4	Type of driving	Seated on board	Seated on board	
	1.5	Loading capacity	Q (t)	15	20
Weights	1.9	Wheel axis	y (mm)	980	980
	2.1	Weight including batteries	Kg	313	378
Ruote/Telajo	3.1	Tyres (superelastic, pneumatic..)	SE	SE	
	3.2	Front wheel dimensions	3.00 - 4	3.00 - 4	
	3.3	Rear wheel dimensions	3.00 - 4	3.00 - 4	
	3.5	Front wheel number (X=traction)	1	1	
	3.5.1	Rear wheel number (X=traction)	2	2	
	3.7	Rear wheel track	b ₁₁ (mm)	540	540
	Wheels / structure	4.7	Operator's protection height (cab)	h ₆ (mm)	1160
4.8		Operator's seat height	h ₇ (mm)	760	760
4.12		Towing hook height	h ₁₀ (mm)	210	210
4.13		Platform height (without loading)	h ₁₁ (mm)	210	210
*****		Clearance	h ₁₁ (mm)	100	100
4.16		Loading platform length	l ₃ (mm)	440	440
4.17		Loading platform width	b ₉ (mm)	/	/
4.19		Total length	l ₁ (mm)	1410	1410
4.21		Total width	b ₁ (mm)	650	650
		Working aisle width	(mm)	850	850
		Intersecting aisle width	(mm)	3100	3100
		Minimum rack width between 2 working aisles	(mm)	800	800
		90° Turning radius	(Wa mm)	2830	2830
* Performances	5.1	Driving speed with full loading	1:11 10,5 km/h 5%	1:11 9 km/h 6,5%	
			1:16 7 km/h STD 8%	1:16 6 km/h STD 10%	
			1:22 5 km/h 12%	1:22 4 km/h 15%	
	5.1.1	Driving speed without loading	1:11 10,5 km/h 5%	1:11 9 km/h 6,5%	
			1:16 7 km/h STD 8%	1:16 6 km/h STD 10%	
			1:22 5 km/h 12%	1:22 4 km/h 15%	
	5.8	Max. grade with full loading	1:11 10,5 km/h 5%	1:11 9 km/h 6,5%	
			1:16 7 km/h 8% STD	1:16 6 km/h 10% STD	
			1:22 5 km/h 12%	1:22 4 km/h 15%	
		5.10 Service brake	Electromechanical + Mechanical	Electromechanical + Mechanical	
	5.11 Parking brake	Electromechanical	Electromechanical		
	Emergency brake	Electromechanical	Electromechanical		
	Driver detection sensor	Mechanical	Mechanical		
Electric motor	6.1	Traction motor – capacity KB 60 min	kW	1,2	1,5
	6.3	Battery		24V 120Ah	24V 200Ah
	6.4	Battery tension	U V	24V	24V
	6.4.1	Battery capacity	K 5 Ah	120Ah	200Ah
	6.5	Battery weight	Kg	120	185
Others	8.1	Kind of transmission	1:11 10,5 km/h 5%	1:11 9 km/h 6,5%	
			1:16 STD 7 km/h 8%	1:16 STD 6 km/h 10%	
			1:22 5 km/h 12%	1:22 4 km/h 15%	
	8.4	Average noise for the operator	dB (A)	< 70	< 70
	8.5	Towing hook	Manual	Manual	
	8.6	Steering gear	Mechanical	Mechanical	
	Vibrations to the operator		< 2,5 m/s ²	< 2,5 m/s ²	

* the performances refer to the vehicle in perfect conditions, with charged battery and regular motor maintenance



Easy and safe movement Production increased

When a tractor is better than every other operating machine
In accordance with VDI2391 regulations, it's suggested to use specific machines when intensive towing drive is over 36 mt. distance.

In these conditions, T1500D is suggested : it's more flexible, quicker inside aisle, suitable for several stops during loading and unloading. It's the better solution between towing capacity & price.

— other operating machine
— T1500D

Safe working. You can! You must!

ELECTRICPORTER RANGE 2007



TRACTORS



PLATFORMS



SCOOTERS



HOSPITAL



EC CERTIFICATION



IN ACCORDANCE WITH 626 LAW



1000 Kg. MAXIMUM LOADING



80 cm. WAY WIDTH



2500 Kg. TOWING CAPACITY

FANTOZZI

moving safe. at work

Fantozzi Electric Carts S.r.l.
Via Rosa Luxemburg, 24
42010 Rio Saliceto (RE) - Italy
Tel. +39 0522 647192
Fax +39 0522 699479
info@fantozzi.com
sales@fantozzi.com
www.fantozzi.com