

# SPECIFICATION **PRATIKA 250 PICK-UP**

## **TECHNICAL DATA**

- Ladder pack is extendable in 7 elements
- Electrical operation with low consumption
- System of fixing ladder pack
- Hydraulic stabilisation
- Rapid two-anchor patented system of removability
- Reduced dimensions
- Capacity 200 kg
- Profile 250 mm
- Automatic functioning with safety slow down at movement limits
- Aluminium rotating platform, basket with hinged and extending side panels
- Electrical system complete with hour-counter
- Levelling ring

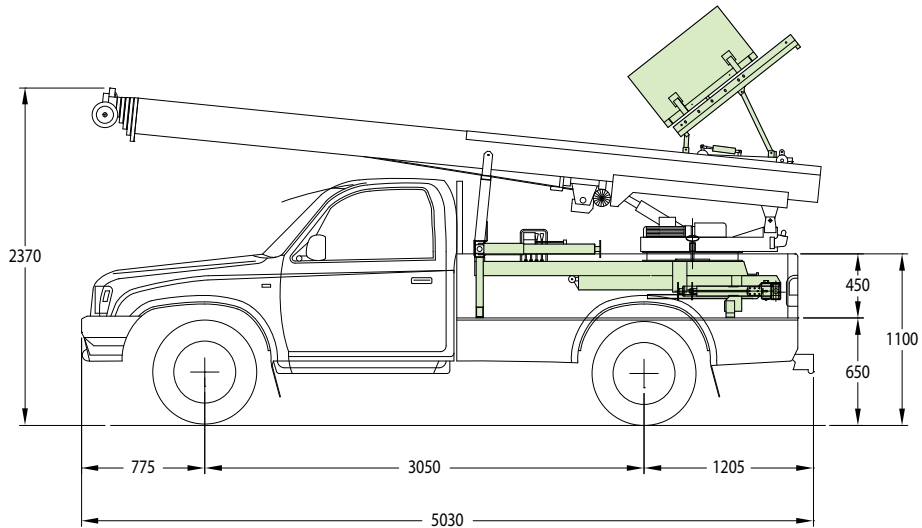
## **PERFORMANCE**

Height	24,5 m
Maximum capacity	200/250 kg
Total weight	2770 kg
Profile dimensions	250/321 mm
Operation electrical	1,2 kw
Safety	CE standards

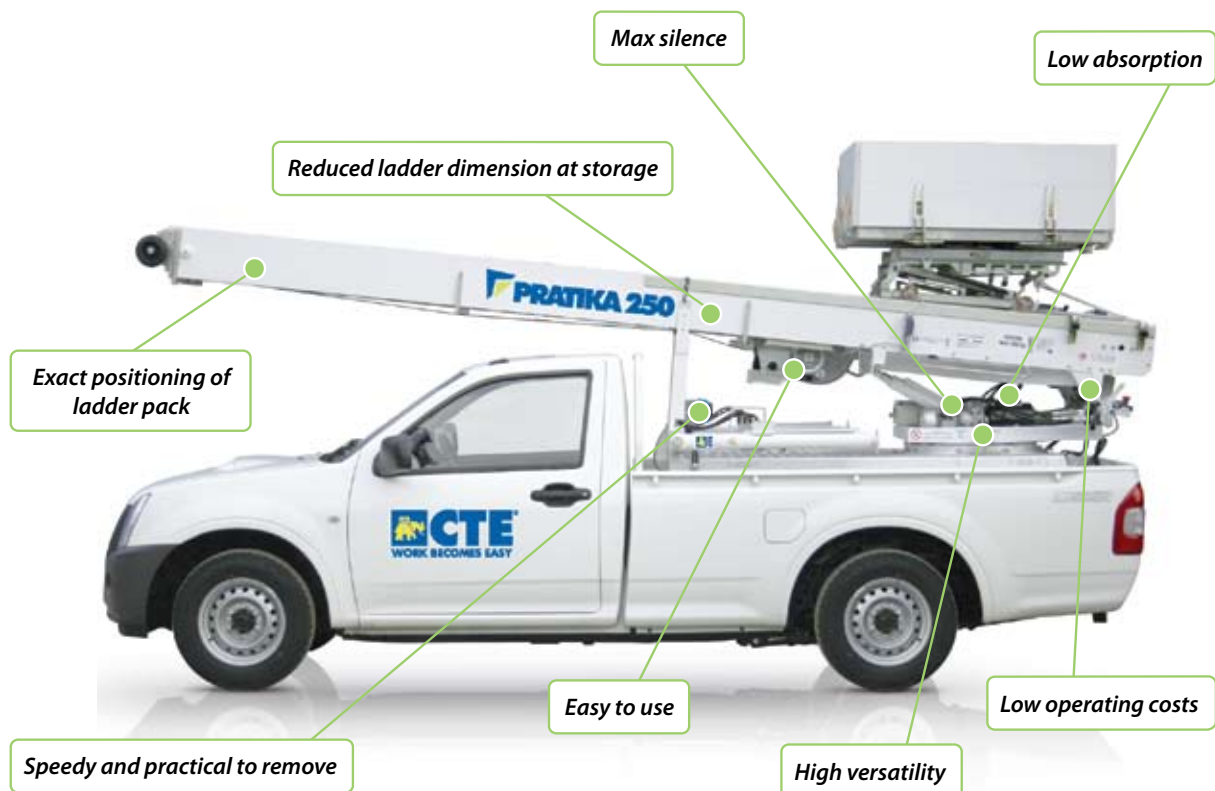
*Mounted on Isuzu D-max pick-up*



## LADDER DIMENSIONS



## KEY POINTS



CTE S.p.A. | [www.ctelift.com](http://www.ctelift.com)

Sales Office Dolo (Ve) - [dolo@ctelift.com](mailto:dolo@ctelift.com)  
 ph. +39 041 51.00.130 - fax +39 041 41.38.44  
 Headquarter Rovereto (Tn) - [info@ctelift.com](mailto:info@ctelift.com)  
 ph. +39 0464 48.50.50 - fax +39 0464 48.50.99  
 Milano Branch S. Giuliano Milanese (Mi) - [milano@ctelift.com](mailto:milano@ctelift.com)  
 ph. +39 02 98.81.100 - fax +39 02 98.28.20.96  
 Bertinoro Branch & Factory (FC) - [bertinoro@ctelift.com](mailto:bertinoro@ctelift.com)  
 ph. +39 0543 44.88.30 - fax +39 0543 44.83.43

