

## 20. SGG - CUSHION SHELTERS

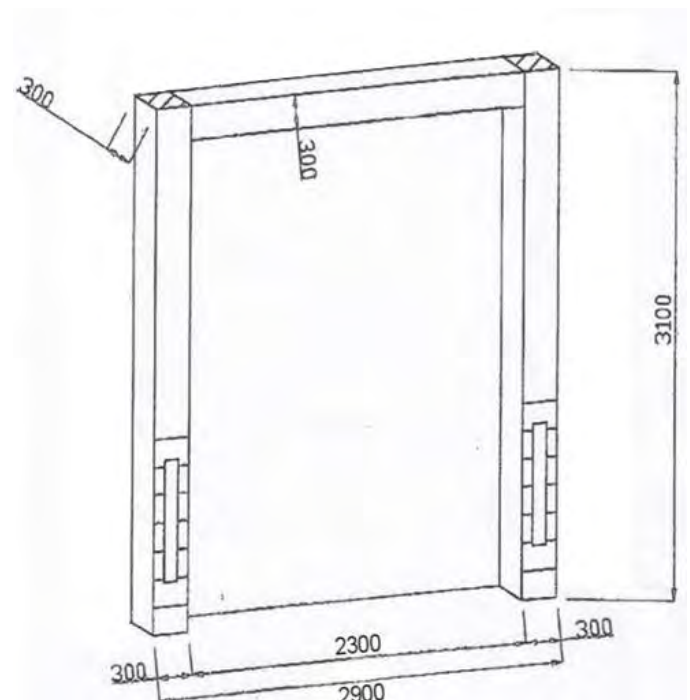


**PERFECT FOR:**

**CONTROLLED TEMPERATURE INSULATED WAREHOUSES:**  
**HIGHLY PERFORMING INSULATION FACTOR LOADING ON**  
**STANDARD DIMENSIONS TRUCKS AND NON-SLOPING**  
**GROUND FLOOR SURFACE.**

PVC panel shelters with foam rubber filling on wooden fixable back-plate.

Product characteristics require contacting TM Pedane sales office to evaluate needs and engineer a perfectly fitting product.



CODE	WIDTH (mm)	HEIGHT (mm)	CUSHIONS width x depth (mm)
SGG	2900	3100	300x300