

SPECIFICATION

ZED 14

TECHNICAL DATA

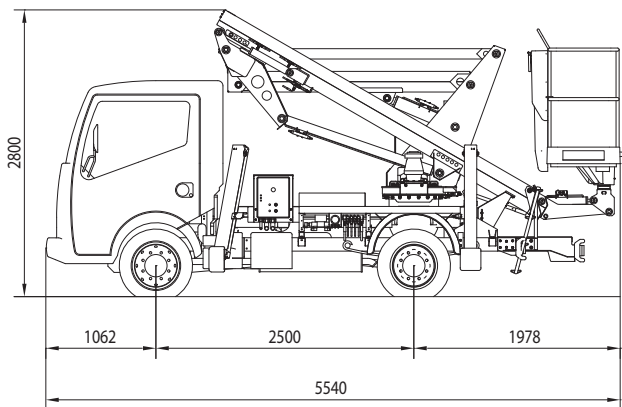
- Pantograph + telescopic arm
- 360° continuous turret rotation on bearing turntable
- Individual, proportional and electrohydraulic controls in basket
- Engine start and stop controls from basket
- Anti-slip aluminium flatbed decking
- Basket base in composite material with aluminium guardrails
- 65° Right + 65° Left hydraulic basket rotation
- Automatic hydraulically actioned basket levelling
- N° 4 hydraulic outriggers with ground pressure sensors
- 230 V AC EC electrical socket in the basket
- Buzzer indicating PTO engaged
- Hour meter
- Standard boom colours blue (RAL 5017) or white (RAL 9010)
- CE certified

PERFORMANCE

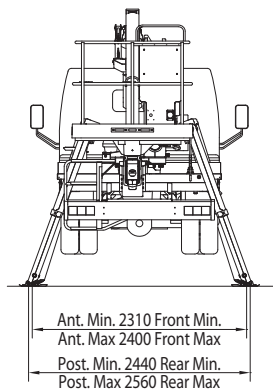
Working height	13,9 m
Platform height	11,9 m
Working outreach	7,5 m
Capacity	200 kg
Basket dim.	1400x700x1100 mm
GVW minimum	3,5 t



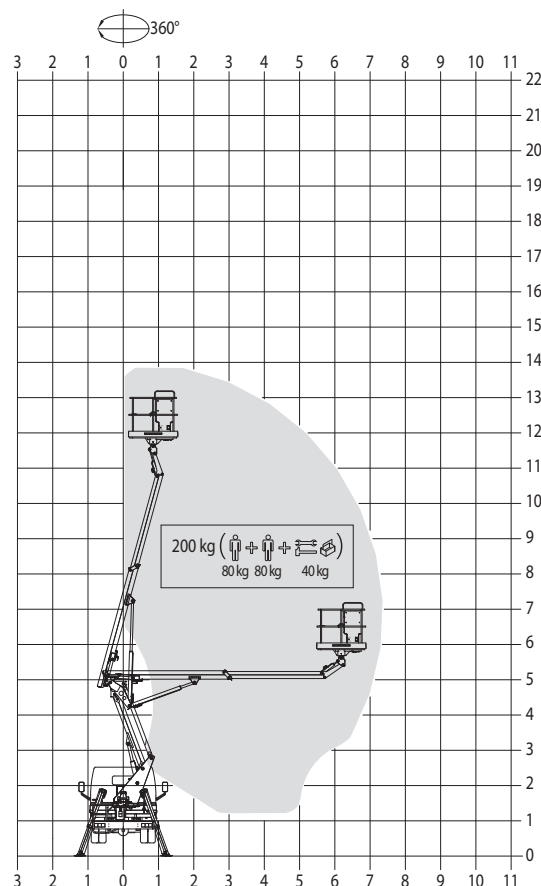
DIMENSIONS



OUTRIGGER FOOTPRINT



WORKING ENVELOPE



KEY POINTS

- Basket made of composite material, isolated up to 5000 V (without 230 V socket)**
- Individual, proportional, electrohydraulic controls**
- No external hoses from basket**
- Clean top boom, internal mounted services**
- 360° continuous turret rotation on bearing turntable**
- 200 kg basket capacity throughout entire working area**
- 65° Right + 65° Left hydraulic basket rotation**

Sales Office Dolo (Ve) - dolo@ctelift.com
 ph. +39 041 51.00.130 - fax +39 041 41.38.44
 Headquarter Rovereto (Tn) - info@ctelift.com
 ph. +39 0464 48.50.50 - fax +39 0464 48.50.99
 Milano Branch S. Giuliano Milanese (Mi) - milano@ctelift.com
 ph. +39 02 98.81.100 - fax +39 02 98.28.20.96
 Bertinoro Branch & Factory (FC) - bertinoro@ctelift.com
 ph. +39 0543 44.88.30 - fax +39 0543 44.83.43

CTE S.p.A. | www.ctelift.com

