

SPECIFICATION

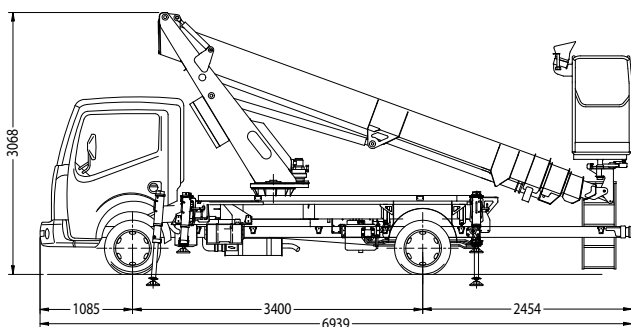
B-LIFT 230 PRO (version with H-frame outriggers)

- Telescopic boom (4 elements) (main boom + 3 telescopic extensions) • 540° non continuous turret rotation on bearing turntable • Proportional electro-hydraulic controls with simultaneous manoeuvres (ergonomic joysticks) • Engine start/stop control from basket • Vehicle cab anticollision devices • Anti slip aluminium flatbed decking • Aluminium basket • System to automatically limit the outreach depending on the weight in the basket • 60° Right + 60° Left electric rotating basket • Automatic basket levelling by hydraulic parallelogram • Automatic working range delimitation (180°) with outriggers extended only on one side (left/right) • Working range with outriggers not extended (narrow jacking) • N° 4 hydraulic outriggers with ground pressure sensors • 230 V AC CE Electric socket in the basket • Buzzer when PTO is coupled with disconnected hand brake • Hour meter • N° 1 flashing beacon • Ground control station with display

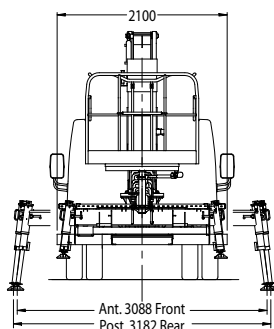
PERFORMANCE

Working height	22,5 m	Capacity	80/200/250 kg
Platform height	20,5 m	Basket dim.	1400x700x1100 mm
Working outreach	10,4/7,7 m	GVW minimum	3,5 t

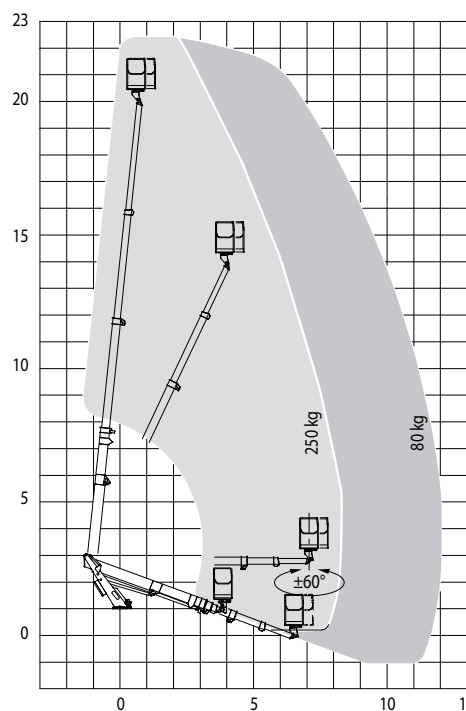
DIMENSIONS



OUTRIGGER FOOTPRINT



WORKING ENVELOPE



CTE S.p.A. | www.ctelift.com

Sales Office Dolo (Ve) - dolo@ctelift.com
ph. +39 041 51.00.130 - fax +39 041 41.38.44
Headquarter Rovereto (Tn) - info@ctelift.com
ph. +39 0464 48.50.50 - fax +39 0464 48.50.99
Milano Branch S. Giuliano Milanese (Mi) - milano@ctelift.com
ph. +39 02 98.81.100 - fax +39 02 98.28.20.96
Bertinoro Branch & Factory (FC) - bertinoro@ctelift.com
ph. +39 0543 44.88.30 - fax +39 0543 44.83.43



Product specifications are subject to change without notice or obligation. Technical features and drawings in this brochure are for illustrative purposes only. B230PROH - ed. 10/09

ADVERTENDO.COM™ We know how.



Branches: Rovereto, Dolo and S. Giuliano Milanese