

## TELESCOPIC TRUCK MOUNTED PLATFORMS



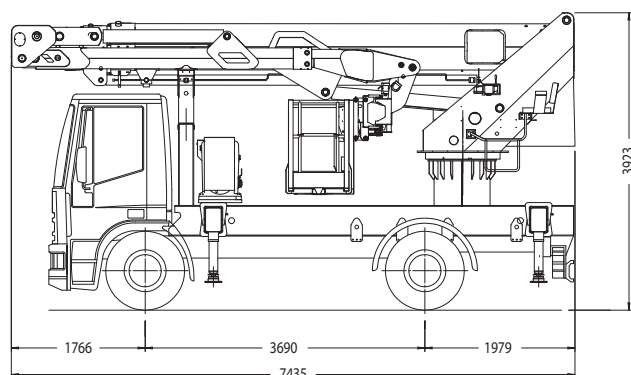
# SPECIFICATION B-LIFT 320

• Telescopic boom (4 elements) (main boom + 3 telescopic extensions) • Telescopic jib (main boom + 1 extension) with opening angle 180° • 360° continuous turret rotation on bearing turntable including electric/hydraulic swivel • Proportional electrohydraulic controls with simultaneous manoeuvres (ergonomic joysticks) • Engine start/stop control from basket • Anti slip aluminium flatbed decking • Hydraulically extendable aluminium basket • 90° Right + 90° Left hydraulic rotating basket • Electronic basket levelling • Basket load sensing device • Automatic working range delimitation (180°) with outriggers extended only on one side (left/right) • Working range with outriggers not extended (narrow jacking) • N° 4 hydraulic outriggers with ground pressure sensors • Booms at center warning light at control stations • Water or compressed air socket in the basket • 230 V AC CE Electric socket in the basket • Buzzer indicating PTO engaged • Hour meter • N° 1 flashing beacon

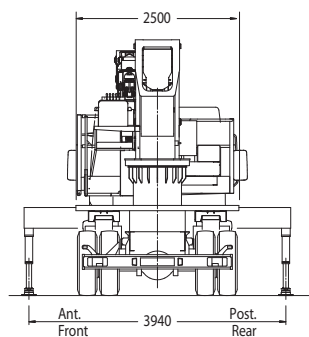
### PERFORMANCE

Working height	32 m	Capacity	120/280 kg
Platform height	30 m	Basket dim.	2400/3600x800x1100 mm
Working outreach	21/20 m	GVW minimum	18 t

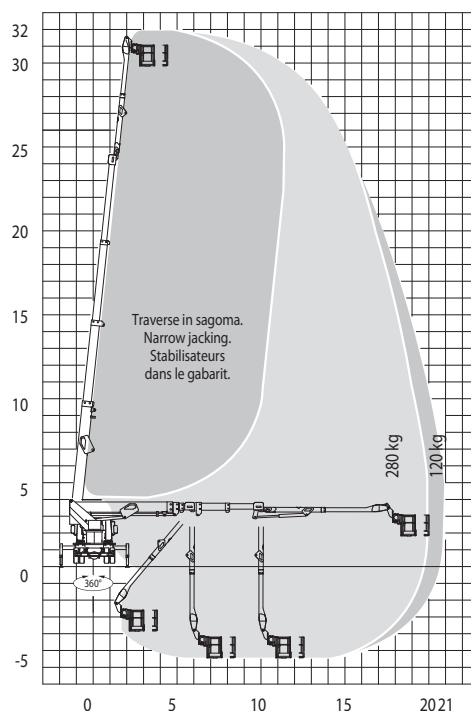
### DIMENSIONS



### OUTRIGGER FOOTPRINT



### WORKING ENVELOPE



Products specifications are subject to change without notice or obligation. Technical features and drawings in this brochure are for illustrative purposes only. B320HR - ed. 10/09

ADVERTENDO.COM® We know how.



Branches: Rovereto, Dolo and S. Giuliano Milanese

CTE S.p.A. | [www.ctelift.com](http://www.ctelift.com)

Sales Office Dolo (Ve) - [dolo@ctelift.com](mailto:dolo@ctelift.com)  
 ph. +39 041 51.00.130 - fax +39 041 41.38.44  
 Headquarter Rovereto (Tn) - [info@ctelift.com](mailto:info@ctelift.com)  
 ph. +39 0464 48.50.50 - fax +39 0464 48.50.99  
 Milano Branch S. Giuliano Milanese (Mi) - [milano@ctelift.com](mailto:milano@ctelift.com)  
 ph. +39 02 98.81.100 - fax +39 02 98.28.20.96  
 Bertinoro Branch & Factory (FC) - [bertinoro@ctelift.com](mailto:bertinoro@ctelift.com)  
 ph. +39 0543 44.88.30 - fax +39 0543 44.83.43

