

## PFEIFER-RENFROE clamp model MPS 1

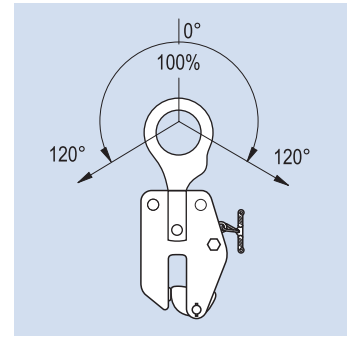
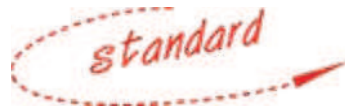
with rigid lifting shackle

For vertical lifting and 180° turning of sheets, steel plates, girders and structural steel elements.

The "lock closed" feature guarantees the clamp to firmly grip the load even under unintentional release.

The MPS model series replace the former models G1, G3 and BDS with extended operating features.

Also available for super-hard loads up to 450 HB and with stainless steel gripping elements (see Page 77).



SWL kg	Gripping range A mm	Dimensions in mm							Weight approx. kg	Reference no.
		B	D	E	F	G	H	J		
1000	0-25	65	290	60	125	65	45	12	4.4	166770
1000	25-50	65	290	60	150	65	45	12	4.2	166784
2000	0-30	80	370	70	165	72	55	15	7.5	167539
2000	30-60	80	370	70	195	72	55	15	8.0	167541
3000	5-35	105	490	90	195	86	65	20	12.0	161487
3000	35-70	105	490	90	230	86	65	20	13.8	161488
5000	5-50	115	515	90	240	95	85	20	18.6	162874
5000	50-100	115	515	90	290	95	85	20	19.0	168272

## PFEIFER-RENFROE clamp model MPS 2

with rigid lifting shackle

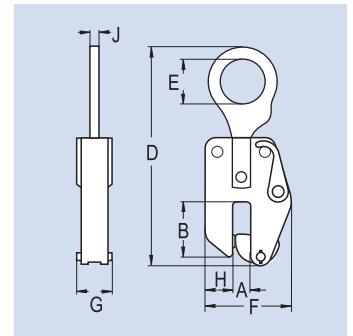
For vertical lifting and 180° turning of sheets, steel plates, girders and structural steel elements.

With "lock closed" and "lock open" feature enabling the clamp to firmly grip the load even under unintentional release. In "lock open" position the clamp can be advanced to the load, attached and locked.

Once the load has been set down and secured, the clamp – locked in the open position – can be lifted off by the crane.

The MPS model series replace the former models G1, G3 and BDS with extended operating features.

Also available for super-hard loads up to 450 HB and with stainless steel gripping elements (see Page 77).



SWL kg	Gripping range A mm	Dimensions in mm							Weight approx. kg	Reference no.
		B	D	E	F	G	H	J		
1000	0-25	65	290	60	125	65	45	12	4.5	166796
1000	25-50	65	290	60	150	65	45	12	4.2	166798
2000	0-30	80	370	70	165	72	55	15	7.5	167564
2000	30-60	80	370	70	195	72	55	15	8.0	167567
3000	5-35	105	490	90	195	86	65	20	13.3	161505
3000	35-70	105	490	90	230	86	65	20	12.5	161504
5000	5-50	115	515	90	240	95	85	20	18.0	168284
5000	50-100	115	515	90	290	95	85	20	19.0	168287

For the main use of the MPS model series please see the attached drawing and the chart on page 87.

