



DELTA AC-evo / DELTA E AC-evo / DELTA UB AC-evo

Strong and Reliable

 Capacity (kg): 1200 - 1500

 Lifting Height (mm): 1600, 2500, 3000, 3500

DELTA AC-evo

A rugged and reliable stacker for continuous duty pallet handling requirements in medium and large work sites.

AC technology

- + Performance
- + Driving control
- Service Costs



DELTA E AC-evo

Version equipped with extruded-metal mast and special steel sections for heavy-duty operations.



Lateral safety boards for the maximum safety of the operator (Optional)



DELTA UB AC-evo

To increase efficiency and reduce operator fatigue in large work sites, the driver-on-board option allows operator stands on a platform while the truck is in motion.

FULLY POWERED STACKERS

Features in detail:



NEW "DR EVO" DRIVE STEERING:

Includes LED battery charge indicator, "turtle" switch for variable speed control, precision proportional lifting / lowering control and safety reversing (crushproof) switch.



FREEDOM FROM DOWNTIME:

Powered by 24V industrial batteries with capacities to 270 Ah. A battery charger is built-in to the stacker control housing and includes a 220VAC power cord.



TRACTION AND STABILITY:

Structure with 5 contact points and shock-absorber system for perfect grip by the driving wheel in case of floor irregularities. AC traction drives offer maximum responsiveness in starting and during braking.



MAINTENANCE:

High frequency 24V microprocessor controls with LED function indicators allow fast and easy troubleshooting. Includes PC control software.

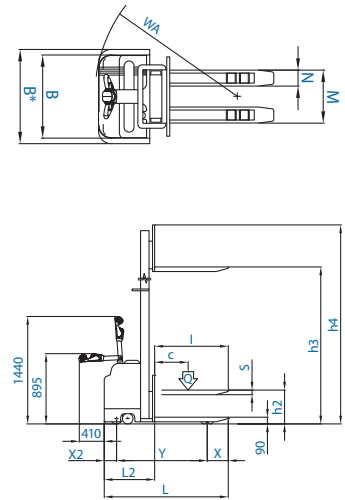


DELTA AC-evo

| model | 125/16 | 155/16 | 125/25 | 155/25 | 125/30 | 155/30 | 125/35 | 155/35 |
|-------|--------|--------|--------|--------|--------|--------|--------|--------|
| Q | Kg | 1200 | 1500 | 1200 | 1500 | 1200 | 1500 | 1500 |
| C | mm | 600 | 600 | 600 | 600 | 600 | 600 | 600 |
| I | mm | 1150 | 1150 | 1150 | 1150 | 1150 | 1150 | 1150 |
| L | mm | 1895 | 1915 | 1930 | 1950 | 1930 | 1950 | 1950 |
| X | mm | 380 | 380 | 415 | 415 | 415 | 415 | 415 |
| X2 | mm | 175 | 175 | 175 | 175 | 175 | 175 | 175 |
| Y | mm | 1340 | 1360 | 1340 | 1360 | 1340 | 1360 | 1360 |
| L2 | mm | 745 | 765 | 780 | 800 | 780 | 800 | 800 |
| M | mm | 530 | 530 | 530 | 530 | 530 | 530 | 530 |
| N | mm | 160 | 160 | 160 | 160 | 160 | 160 | 160 |
| h1 | mm | 1990 | 1990 | 1740 | 1740 | 1990 | 1990 | 2240 |
| h2 | mm | 1450 | 1450 | 200 | 200 | 200 | / | / |
| h3 | mm | 1600 | 1600 | 2500 | 2500 | 3000 | 3500 | 3500 |
| h4 | mm | 2120 | 2120 | 3020 | 3020 | 3520 | 4020 | 4020 |
| B | mm | 840 | 840 | 840 | 840 | 840 | 1000* | 1000* |
| WA | mm | 1500 | 1520 | 1530 | 1550 | 1530 | 1530 | 1550 |

STANDARD EQUIPMENT

- AC three-phase technology traction motors • Electronic plant 24V with controller with mosfet technology complete with inverter and microprocessor fault research • Regenerative braking with consumption reduction and temperature control of the traction motor
- Free lift 200 mm (excluded lifting height mm. 3500) • Built-in electronic battery charger 24V 30A with microprocessor • Forks control by push-buttons • Fixed forks length mm. 1150 • Electric end stroke • Parking Brake • Shock absorber on driving-wheel
- Side wheels with extra-heavy castors • Exhausted battery warning-indicator • DR-EVO Steering • Automatic speed reduction
- Safety components • Traction Battery 24V from 160 to 270 Ah

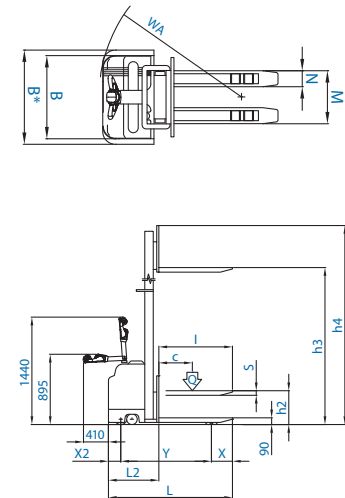


DELTA E AC-evo

| model | 125/16 | 155/16 | 125/25 | 155/25 | 125/30 | 155/30 | 125/35 | 155/35 |
|-------|--------|--------|--------|--------|--------|--------|--------|--------|
| Q | Kg | 1200 | 1500 | 1200 | 1500 | 1200 | 1500 | 1500 |
| C | mm | 600 | 600 | 600 | 600 | 600 | 600 | 600 |
| I | mm | 1150 | 1150 | 1150 | 1150 | 1150 | 1150 | 1150 |
| L | mm | 1870 | 1900 | 1915 | 1935 | 1915 | 1935 | 1935 |
| X | mm | 375 | 375 | 410 | 410 | 410 | 410 | 410 |
| X2 | mm | 175 | 175 | 175 | 175 | 175 | 175 | 175 |
| Y | mm | 1330 | 1330 | 1330 | 1330 | 1330 | 1330 | 1330 |
| L2 | mm | 730 | 730 | 765 | 785 | 765 | 785 | 785 |
| M | mm | 530 | 530 | 530 | 530 | 530 | 530 | 530 |
| N | mm | 160 | 160 | 160 | 160 | 160 | 160 | 160 |
| h1 | mm | 1990 | 1990 | 1740 | 1740 | 1990 | 2250 | 2250 |
| h2 | mm | 1450 | 1450 | 200 | 200 | 200 | / | / |
| h3 | mm | 1600 | 1600 | 2500 | 2500 | 3000 | 3500 | 3500 |
| h4 | mm | 2120 | 2120 | 3020 | 3020 | 3520 | 4020 | 4020 |
| B | mm | 840 | 840 | 840 | 840 | 840 | 1000* | 1000* |
| WA | mm | 1500 | 1520 | 1530 | 1550 | 1530 | 1530 | 1550 |

STANDARD EQUIPMENT

- AC three-phase technology traction motors • Electronic plant 24V with controller with mosfet technology complete with inverter and microprocessor fault research • Regenerative braking with consumption reduction and temperature control of the traction motor
- Free lift 200 mm (excluded lifting height mm. 3500) • Extruded mast with lateral contrast bearings • Built-in electronic battery charger 24V 30A with microprocessor • Forks control by push-buttons • Fixed forks length mm. 1150 • Electric end stroke • Parking Brake • Shock absorber on driving-wheel
- Side wheels with extra-heavy castors • Exhausted battery warning-indicator • DR-EVO Steering • Automatic speed reduction
- Safety components • Traction Battery 24V from 160 to 270 Ah

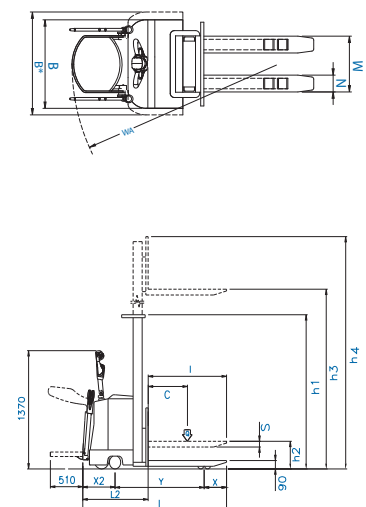


DELTA UB AC-evo

| model | 125/16 | 155/16 | 125/25 | 155/25 | 125/30 | 155/30 | 125/35 | 155/35 |
|-------|--------|--------|--------|--------|--------|--------|--------|--------|
| Q | Kg | 1200 | 1500 | 1200 | 1500 | 1200 | 1500 | 1500 |
| C | mm | 600 | 600 | 600 | 600 | 600 | 600 | 600 |
| I | mm | 1150 | 1150 | 1150 | 1150 | 1150 | 1150 | 1150 |
| L | mm | 2000 | 2020 | 2035 | 2055 | 2035 | 2055 | 2055 |
| X | mm | 380 | 380 | 415 | 415 | 415 | 415 | 415 |
| X2 | mm | 280 | 280 | 280 | 280 | 280 | 280 | 280 |
| Y | mm | 1340 | 1360 | 1340 | 1360 | 1340 | 1360 | 1360 |
| L2 | mm | 850 | 850 | 885 | 885 | 885 | 885 | 905 |
| M | mm | 530 | 530 | 530 | 530 | 530 | 530 | 530 |
| N | mm | 160 | 160 | 160 | 160 | 160 | 160 | 160 |
| h1 | mm | 1990 | 1990 | 1740 | 1740 | 1990 | 2240 | 2240 |
| h2 | mm | 1450 | 1450 | 200 | 200 | 200 | / | / |
| h3 | mm | 1600 | 1600 | 2500 | 2500 | 3000 | 3500 | 3500 |
| h4 | mm | 2120 | 2120 | 3020 | 3020 | 3520 | 4020 | 4020 |
| B | mm | 840 | 840 | 840 | 840 | 840 | 1000* | 1000* |
| WA* | mm | 2020 | 2040 | 2050 | 2070 | 2050 | 2050 | 2070 |

STANDARD EQUIPMENT

- AC three-phase technology traction motors • Electronic plant 24V with controller with mosfet technology complete with inverter and microprocessor fault research • Regenerative braking with consumption reduction and temperature control of the traction motor
- Free lift 200 mm (excluded lifting height mm. 3500) • Built-in electronic battery charger 24V 30A with microprocessor • Forks control by push-buttons • Fixed forks length mm. 1150 • Electric end stroke • Parking Brake • Shock absorber on driving-wheel
- Side wheels with extra-heavy castors • Folding footboard for operator • Exhausted battery warning-indicator • DR-EVO Steering • Automatic speed reduction
- Safety components • Traction Battery 24V from 160 to 270 Ah



[*Platform close]