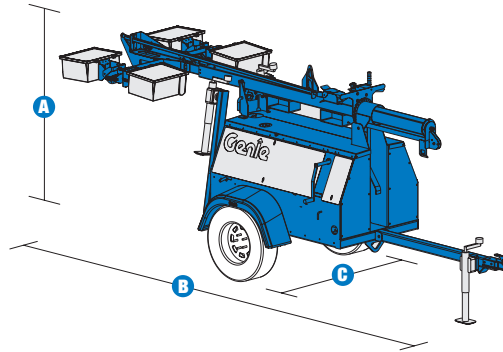


Specifications



MODELS	TML™-4000		TML™-4000N	
MEASUREMENTS	US	Metric	US	Metric
Tower height	28 ft	8.53 m	28 ft	8.53 m
A Height - stowed	5 ft 11 in	1.80 m	5 ft 11 in	1.80 m
B Length - stowed	14 ft 7 in	4.45 m	14 ft 7 in	4.45 m
C Width - stowed	5 ft 10 in	1.78 m	4 ft 7 in	1.40 m

PRODUCTIVITY		
Leveling capability	30°	
Tower rotation	360° non-continuous	
Wind speed rating	up to 60 mph (97 km/h)	
Operating sound level	71 dbA at 23 ft (7 m)	
Towing speed rating	60 mph	97 km/h
Standard hitch receptacle	2 in	5.08 cm
Tire size	205/75D15	185/80D13

POWER		
Power source	Water-cooled 3 cylinder Lombardini diesel engine 14.3 hp (10.7 kW) Water-cooled Perkins diesel engine 14.5 hp (10.8 kW)	
Generator	6 kW	6 kW
Total lighting wattage	4,000 watts (four 1,000 watt HID metal halide lamps)	
Auxiliary convenience receptacles	One 120 V GFCI duplex receptacle	One 120 V GFCI duplex receptacle
Fuel tank capacity	50 gal	189 L
		30 gal
		114 L

WEIGHT			
Dry	2,061 lbs	935 kg	1,821 lbs
Fuel tank full	2,399 lbs	1,088 kg	2,028 lbs
			826 kg
			920 kg

Notice: TML lamp bulbs contain mercury (Hg). Dispose of lamp bulbs according to local, state and federal laws.

Features

EASILY CONFIGURED TO MEET YOUR NEEDS

POWER OPTIONS

- Lombardini water-cooled diesel engine 14.3 hp (10.7 kW)
- Perkins water-cooled diesel engine 14.5 hp (10.8 kW)
- 60 Hz generator package
- 50 Hz generator package (with Perkins engine only)

RECEPTACLE OPTIONS

- Standard convenience receptacle package (60 Hz only)
- No convenience receptacle package (International only)
- Configurable convenience receptacle package
- Enhanced convenience receptacle package (60 Hz only)

COUPLER OPTIONS

- Combination hitch
- 2 in (5.08 cm) ball coupler
- 3 in (7.62 cm) pintle coupler

TIRES

- 205/75D15 tires (TML-4000)
- 175/80D13 tires (TML-4000N)

STANDARD FEATURES

MEASUREMENTS

TML™-4000

- 28 ft (8.53 m) tower height
- 5 ft 10 in (1.78 m) stowed width

TML™-4000N

- 28 ft (8.53 m) tower height
- 4 ft 7 in (1.40 m) stowed width

PRODUCTIVITY

- 360° non-continuous tower rotation
- 30° leveling capability
- Trailer light package
- 60 mph (97 km/h) tow speed rating
- "Tool-less" Quick-Aim™ horizontal and vertical adjustments of each light fixture
- Patent pending tilt actuating lamp adjustment
- Four 1000 W metal halide lamps with individual circuit breaker switch for each lamp
- Horizontal mounted lamp assembly for more even distribution of light
- Standard convenience 120V AC GFCI protected receptacle (60 Hz only)
- No convenience receptacle package (International only)
- 2 in (5.08 cm) ball hitch
- Padlockable doors
- Forklift pockets and lifting eye
- 205/75D15 tires (TML-4000)
- 175/80D13 tires (TML-4000N)

POWER

- Lombardini water-cooled diesel engine 14.3 hp (10.7 kW)
- Perkins water-cooled diesel engine 14.5 hp (10.8 kW)
- 60 Hz generator package
- 60 to 100 hour run time between fueling
- Keyless ignition and hour meter



OPTIONS & ACCESSORIES

PRODUCTIVITY

- Configurable convenience two gang junction box
- Enhanced convenience GFCI protected receptacle with two 120V AC and one 240V AC (60 Hz only)
- Combination 2 in (5.08 cm) ball / 3 in (7.62 cm) pintle hitch
- Environmental tray

POWER

- 50 Hz generator package (Perkins engine only)
- Fuel/water separators and pre-filters
- Cold start packages
- Heavy-duty battery
- Keyed ignition

Genie United States

18340 NE 76th Street
P.O. Box 97030
Redmond, Washington 98073-9730

Telephone **(425) 881-1800**
Toll Free in USA/Canada **800-536-1800**
Fax (425) 883-3475

Genie Europe

The Maltings
Wharf Road
Grantham NG31 6BH
U.K.

Telephone **+44 (0)1476 584333**
Fax +44 (0)1476 584334

Email: infoeurope@genieind.com

Distributed By:

For further information, please contact your local distributor or the Genie Industries sales office listed. Product specifications are subject to change without notice or obligation. The photographs and drawings in this brochure are for illustrative purposes only. Refer to the appropriate Operator's Manual for instructions on the proper use of this equipment. Failure to follow the appropriate Operator's Manual when using our equipment or to otherwise act irresponsibly may result in serious injury or death. Prices and specifications subject to change without notice. The only warranty applicable is the standard written warranty applicable to the particular product and sale. Genie makes no other warranty, expressed or implied. Products and services listed may be trademarks, service marks or trade-names of Terex Corporation and/or its subsidiaries in the USA and other countries and all rights are reserved. Copyright © 2006 Genie Industries, Inc. "Genie" is a Registered Trademark of Genie Industries, Inc. in the USA and many other countries. Genie is a Terex Company.